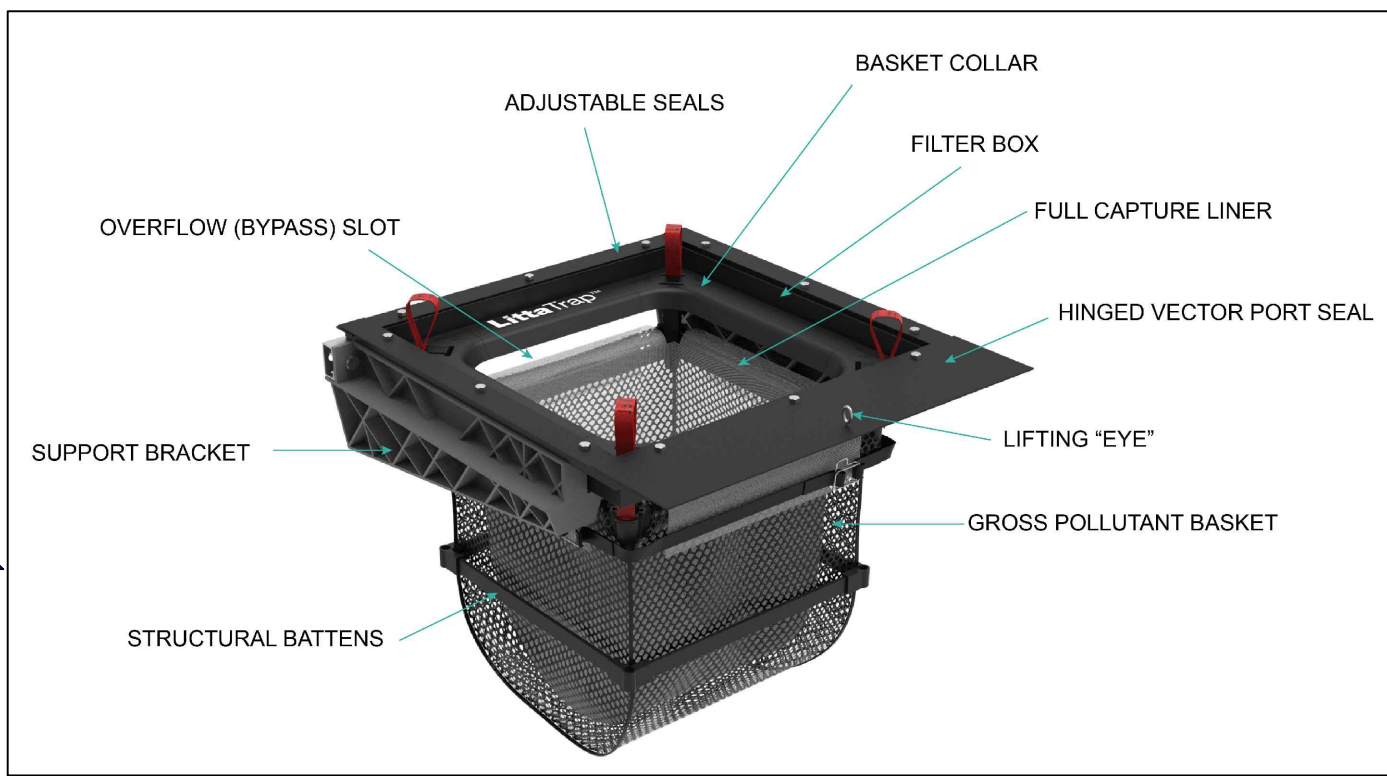
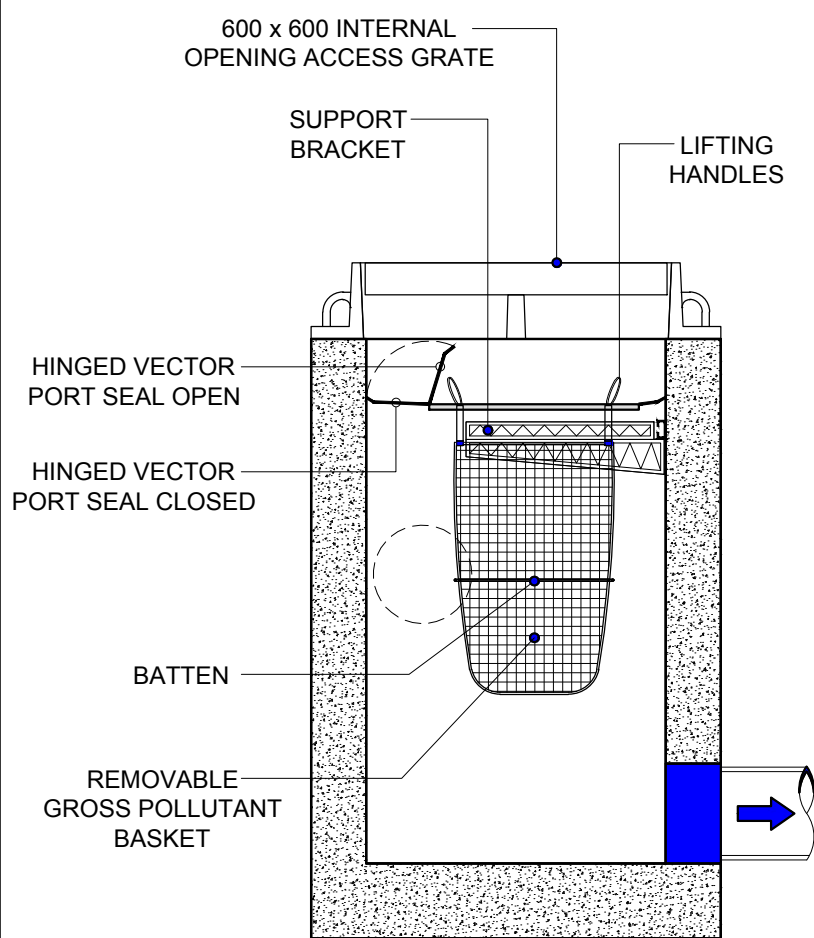


PLAN VIEW



ENVIROPOD LITTATRAPH™ FC COMPONENTS



SECTION A-A

ENVIROPOD LittaTrap™ FC MODELS AND SIZES									
Nominal Catch Basin Size (inch)	LittaTrap FC Model Size	Bracket Width (inch)	Min Filter Box Size (Without Seals)		Max Filter Box Size (With Seals)		Basket Collar Size		Basket Depth (inch)
			Length (inch)	Width (inch)	Length (inch)	Width (inch)	Length (inch)	Width (inch)	
18 x 18	LTFC4545	17.1	15.4	15.4	20.6	20.6	12.0	12.0	15.7
24 x 24	LTFC6060	22.4	20.2	20.2	25.3	25.3	17.3	17.3	15.7
36 x 24	LTFC9060	34.3	32.0	17.6	37.1	22.7	29.1	17.3	15.7

ENVIROPOD LittaTrap™ FC FLOW AND STORAGE SPECIFICATION						
Basin Size (Inch)	LittaTrap FC Model SIZE	Screen Area in ²	Maximum Trash Capture Volume (MCTV) ft ³	Design Flow Rate 50% MCTV CFS	Standard Bypass Flow CFS	
18 x 18	LTFC4545	601	0.7	2.1	2.1	
24 x 24	LTFC6060	969	1.6	3.2	3.3	
36 x 18	2 x LTFC4545 *	1203	1.4	4.2	4.2	
36 x 24	LTFC9060	1473	3.0	4.8	4.5	
36 x 36	LTFC9060 + Seal Extension Kit **	1473	3.0	4.8	4.5	
48 x 48	4 x LTFC6060 ***	3875	6.5	12.9	13.2	

The Enviropod LittaTrap™ has an adjustable bypass. Flow rates listed are for a factor set bypass. Please contact Enviropod for specific bypass requirements.

For curb entry catch basins a series of standard LittaTrap™ models and seal extension kits are used to extend across the length of the curb entry.

© COPYRIGHT Stormwater360 Group Ltd 2020

The "Enviropod LittaTrap™" may be protected by one of the following Canadian, USA or International patent numbers and has other patents pending : 2,810,974, 13/824,376, 15/459,964, 2011302712, 588049

PATENT No.

THE DESIGN AND INFORMATION SHOWN ON THIS DRAWING IS PROVIDED AS A SERVICE TO THE PROJECT OWNER, ENGINEER AND CONTRACTOR BY ENVIROPOD. NEITHER THIS DRAWING, NOR ANY PART THEREOF, MAY BE USED, REPRODUCED OR MODIFIED IN ANY MANNER WITHOUT THE PRIOR WRITTEN CONSENT OF ENVIROPOD. FAILURE TO COMPLY IS DONE AT THE USER'S OWN RISK AND IMBRIUM EXPRESSLY DISCLAIMS ANY LIABILITY OR RESPONSIBILITY FOR SUCH USE. IF DISCREPANCIES BETWEEN THE SUPPLIED INFORMATION UPON WHICH THE DRAWING IS BASED AND ACTUAL FIELD CONDITIONS ARE ENCOUNTERED AS SITE WORK PROGRESSES, THESE DISCREPANCIES MUST BE REPORTED TO IMBRIUM IMMEDIATELY FOR RE-EVALUATION OF THE DESIGN. ENVIROPOD ACCEPTS NO LIABILITY FOR DESIGNS BASED ON MISSING, INCOMPLETE OR INACCURATE INFORMATION SUPPLIED BY OTHERS.



ENVIROPOD LittaTrap™ FC WITH VECTOR INSPECTION PORT SPECIFICATION DRAWING (IMPERIAL UNITS)

REV #	DATE	REVISION DESCRIPTION	BY	SHEET NUMBER
B	10.04.20	FULL CAPTURE LINER	R.P.	1 OF 1
C	21.04.20	VECTOR PORT UPDATE	R.P.	
D	29.06.20	VECTOR INSPECTION PORT	R.P.	
E	30.07.20	TABLE REVISED	R.P.	
F	09.09.20	TABLE REVISED	R.P.	

www.enviropod.com

DATE : 13.07.19

SCALE : NTS

DRAWN : R.P.

CHECKED : M.H.

PROJECT No :

REV : F