

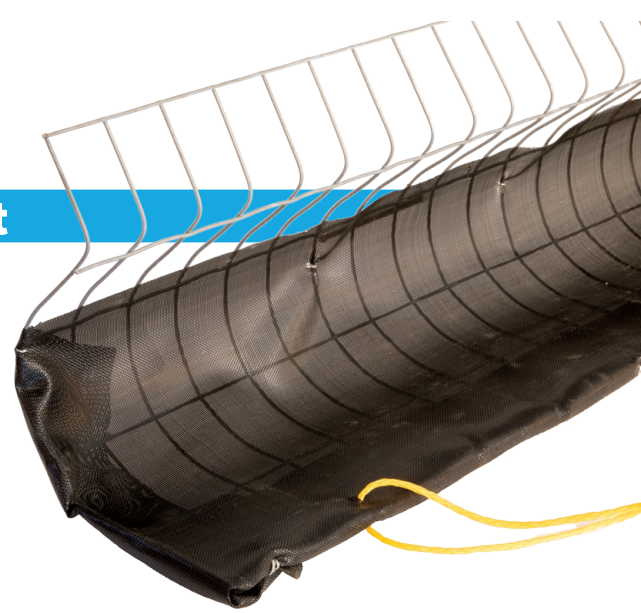


GEOCURVE

STORMWATER CURB INLET FILTER

Product Data Sheet

The GeoCurve Inlet Filter is a stormwater filter for placement into a stormwater curb inlet for the purpose of capturing debris and sediment that is transported by stormwater runoff. The device is comprised of a filter media (woven monofilament filter fabric) affixed to the lower portion of a “C” shaped hot dip galvanized 11 gauge welded wire frame (2” x 4” openings) with an upper retention flange. The device effectively filters stormwater, can easily be removed for maintenance and cleaning and incorporates an overflow window for heavy storm events.

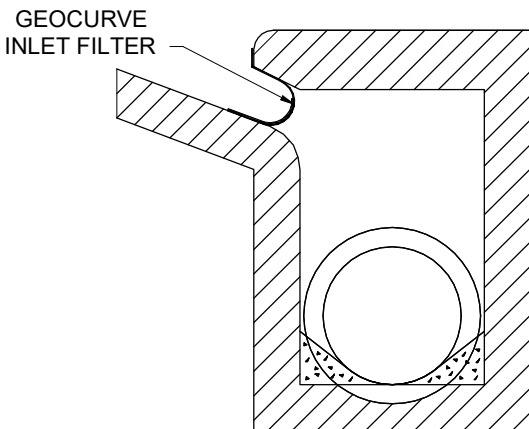
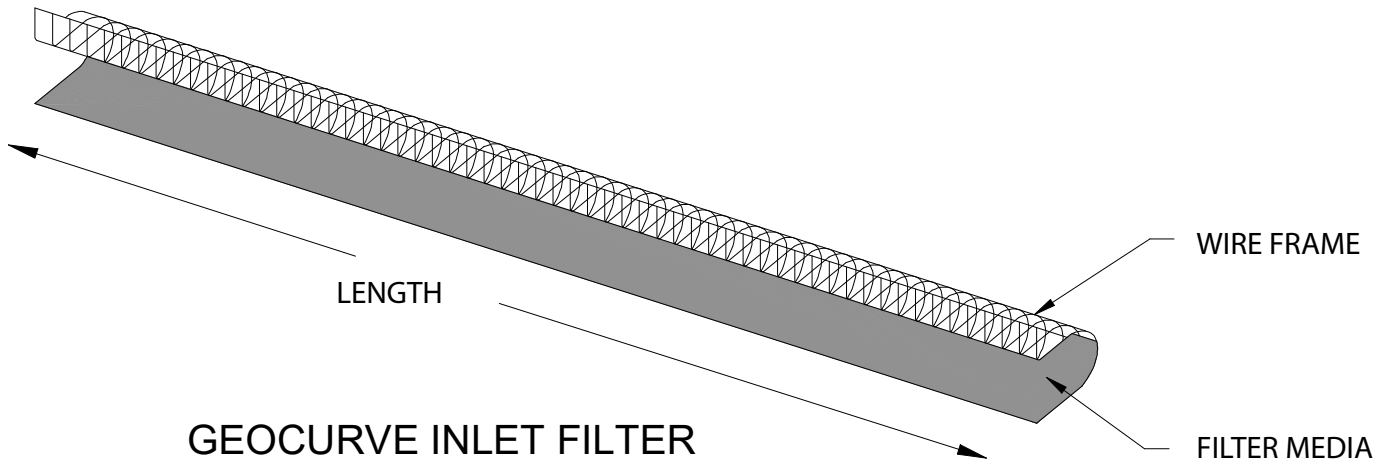


| PROPERTY | TEST METHOD | VALUE |
|--|----------------------------|--|
| Device | | |
| <i>Device Flow Rate</i> | <i>Empirical Flow Test</i> | <i>300 gal/min/sf of inlet open area</i> |
| FILTER FABRIC: Monofilament Woven Filter Fabric | | |
| Fabric Weight | ASTM D 3776 | 4.5 oz/sy |
| Grab Tensile Strength | ASTM D 4632 | 200 lbs |
| Mullen Burst Strength | ASTM D 3786 | 410 lbs/sq in |
| UV Stability | ASTM D 4355 | 80% |
| Water Flow Rate | ASTM D 4491 | 200 gal/min/sf |

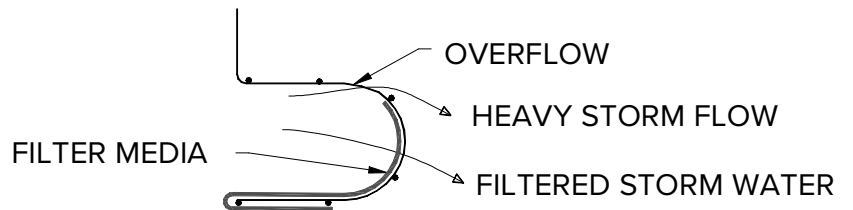
GeoCurve Product Data Sheet



The GeoCurve Stormwater Curb Inlet Filter prevents sediment and debris from entering the storm sewer system, while complying to stormwater management requirements (SWPPP). The GeoCurve's compression fit technology allows the product to fit snug within the mouth of the inlet, hidden from oncoming traffic and pedestrians.



CROSS-SECTION SHOWING PLACEMENT OF GEOCURVE IN CURB INLET



GEOCURVE INLET FILTER CROSS-SECTION