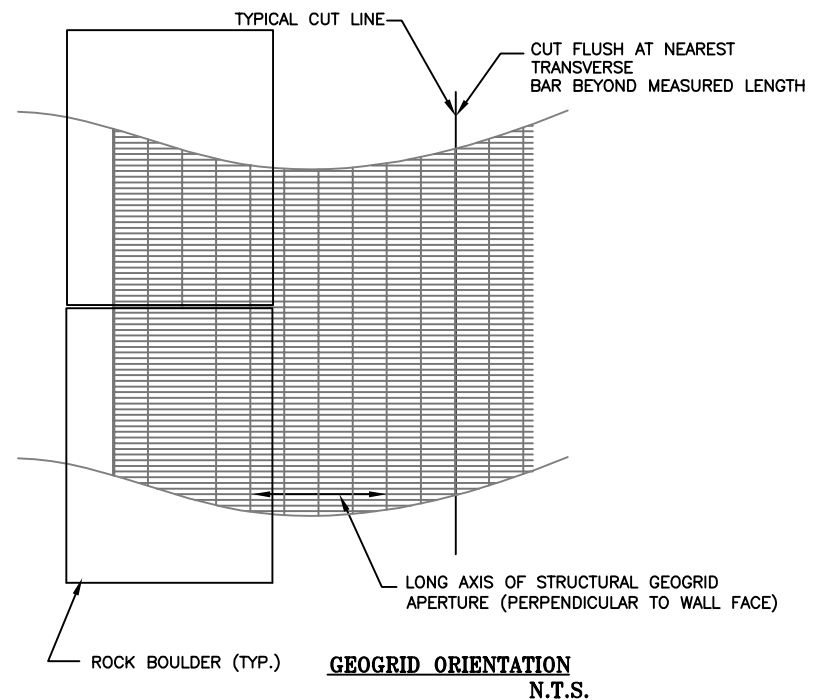
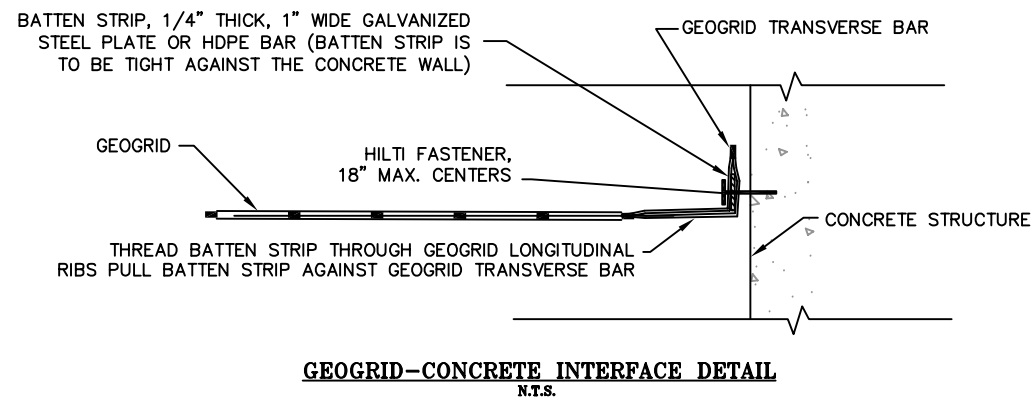
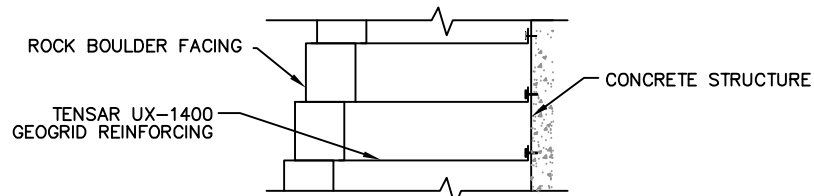
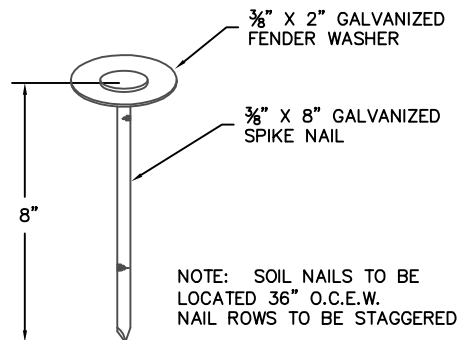


**NOTES:**

1. FACING TO CONSIST OF PREFABRICATED WWF 4x4-W4.0 x W4.0 FORMS.
2. ALL FORMS AND STRUTS WILL BE FABRICATED WITH GALVANIZED WIRE.
3. OVERALL LENGTH OF WIRE FORMS IS 10'-0". EFFECTIVE CONSTRUCTED WIDTH IS 9'-8" WITH 2" OVER LAPPING AT ENDS.
4. STRUT LENGTH AND CROSS-SECTIONAL FORM DIMENSIONS TO BE PROVIDED IN FABRICATORS SHOP DRAWINGS.



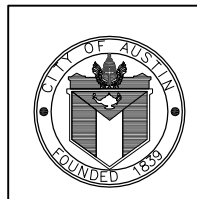
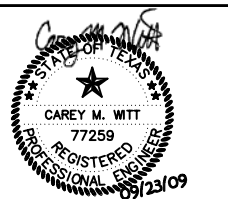
**GEOGRID SCHEDULE**

MSE HEIGHT "H"	NO. OF LAYERS	GEOGRID EMBEDMENT LENGTH	GEOGRID TYPE
6.0'	4	6.0'	TENSAR UX1400
7.5'	5	6.5'	TENSAR UX1400
9.0'	6	7.5'	TENSAR UX1400
10.5'	7	9.0'	TENSAR UX1400
12.0'	8	10.0'	TENSAR UX1400

- NOTES: 1) STEP TOP OF WALL TO CORRESPOND WITH SLOPE BEHIND WALL
- 2) GEOGRID SPACING AS SHOWN ON TYPICAL SECTION UNLESS OTHERWISE NOTED

ISSUE	DATE	DESCRIPTION

PROJECT MANAGER	
DESIGNED BY	
DRAWN BY	
CHECKED BY	
DATE	
PROJECT NUMBER	00000000076465



**Fort Branch Creek Reach 6&7 Channel Rehabilitation**  
True Light and Eleanor Street Area  
1300 Block of Fort Branch Boulevard  
Austin, Texas

**MSE STRUCTURE DETAILS**

0 1" 2"

FILENAME	
SCALE	

SHEET 49 OF 1C-35